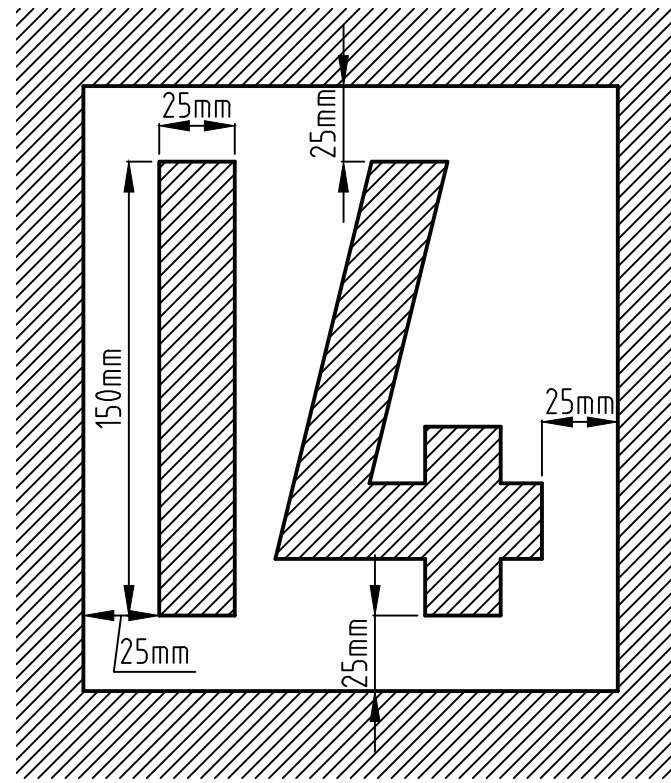




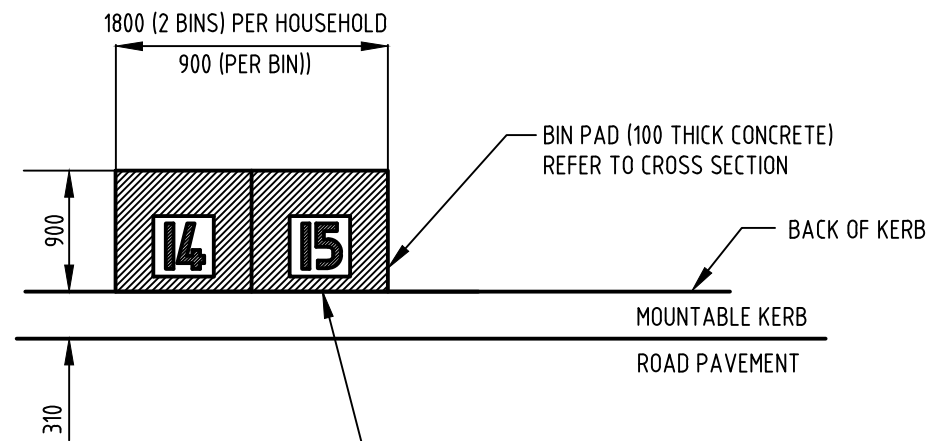
**NOTES:**

1. BIN PAD NUMBERING AND BACKING PAINT TO BE APPLIED WITH PAINT SUITABLE FOR EXTERNAL CONCRETE APPLICATIONS.
2. NUMBERS SHALL BE APPLIED AT H:150mm x W:25mm.



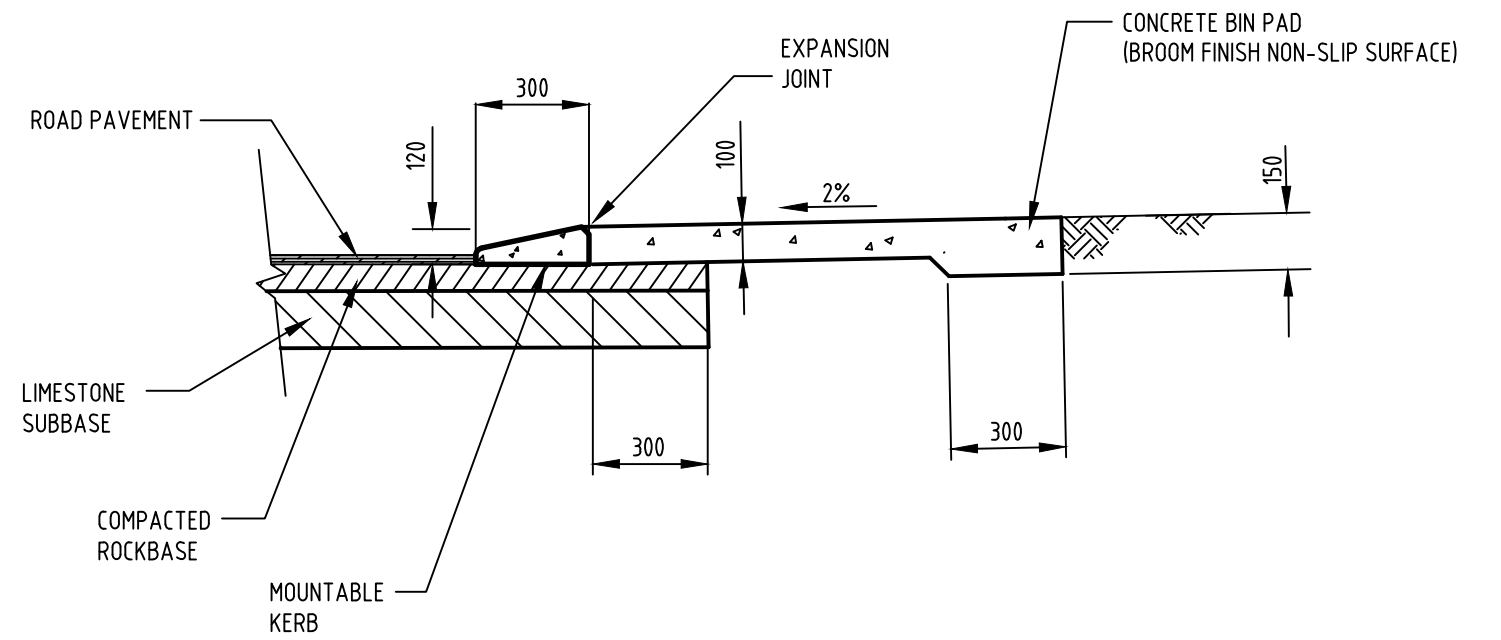
**NUMBER DETAIL**

NTS



**PLAN**  
SCALE 1:50

EXAMPLE:  
HOUSE No. TO BE PAINTED  
ON THE BIN PAD. BLACK  
NUMBERING ON WHITE  
BACKGROUND



**CONCRETE RUBBISH BIN PLACEMENT PAD**

SCALE 1:20